

Airborne Kitchen Grease

A proactive approach to a costly cooking by-product.



TOP PROJECT
OF THE YEAR
2015



Atlanta, GA - Nov. 2015 - Ei Partners Meeting

Ei

Elemental
IMPACT



Airborne Kitchen Grease Initiative



Published Whitepaper



HMS Host Program



Multiple Trial Sites



City-wide AKG Template



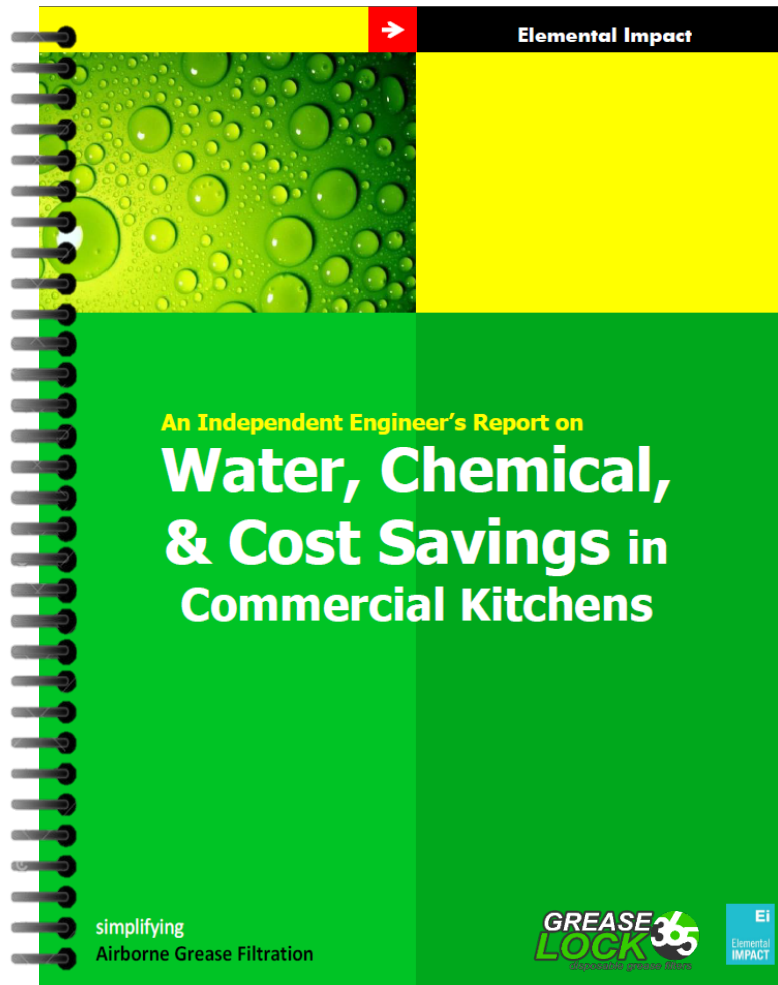
Culinary School Lesson Plans



Investigation Confirmation



TOP PROJECT
OF THE YEAR
2015



- ✓ Reduces Air Pollution
- ✓ Reduces Sewer Pollution
- ✓ Increases Fire Protection
- ✓ Makes Good Business Sense

Ei

Elemental
IMPACT



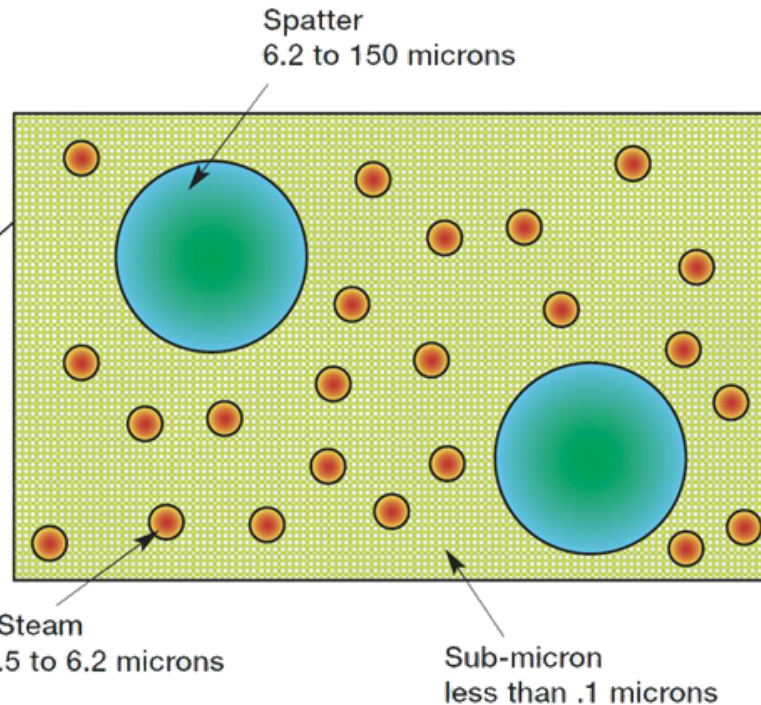
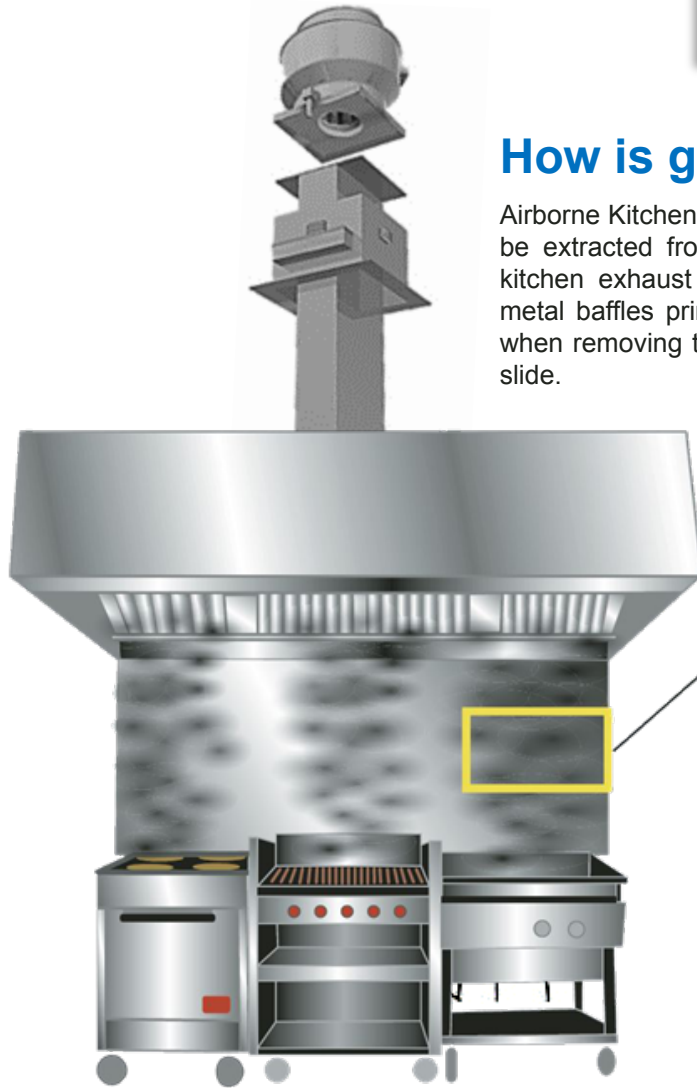
Where it all begins...



TOP PROJECT
OF THE YEAR
2015

How is grease getting into the air?

Airborne Kitchen Grease is the by-product of commercial cooking processes that must be extracted from the effluent air stream via the kitchen ventilation system. Total kitchen exhaust includes grease particulate as well as grease vapors. Traditional metal baffles primary role is a fire barrier, not a grease filter, hints their inefficiency when removing the majority of the Airborne Kitchen Grease as seen on the following slide.



Ei

Elemental
IMPACT

**GREASE
LOCK** 365
disposable grease filters

Managed for:

1. Local/National Codes
2. Fire Safety
3. Insurance Requirements

How It Works...



TOP PROJECT
OF THE YEAR
2015



Ei

Elemental
IMPACT



The Difference.



Reactive vs. Proactive

Standard Baffles



VENT HOOD CANOPY

GREASE LOCK



Reactive Results...

Reactive is putting the ambulance
at the bottom of the cliff.

Restaurant Impact



80% Grease
Deposited



TRADITIONAL
OPERATIONS

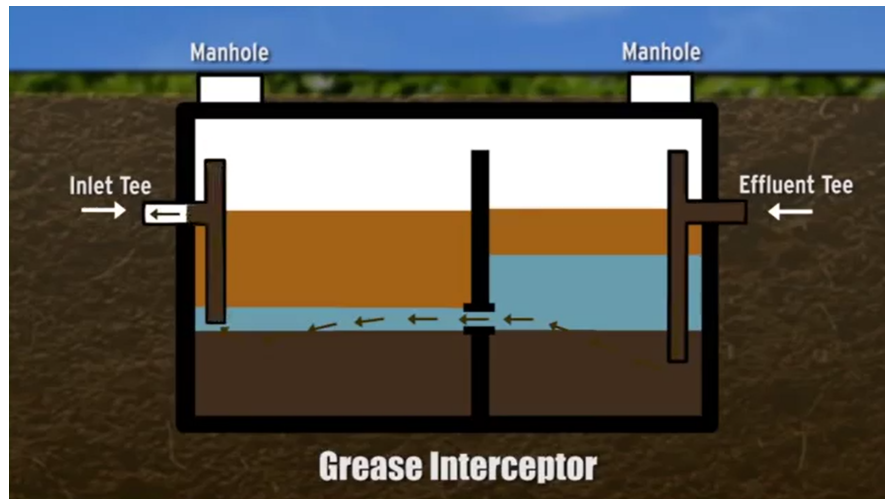
20% Grease
Capture



Ei

Elemental
IMPACT

Restaurant Impact



Traditional grease management cause misuse of “safety features” (grease traps/interceptors):

- due to the water being too hot,
- excess flow rates (up to 12x the spec'd)



TRADITIONAL
OPERATIONS



Sewer drains becoming clogged.



Reactive Results...

Community Impact



Sewer drains becoming clogged.



Reactive Results...

Community Impact

“If fat is like the mortar, wet wipes are the bricks in fatbergs.”

-Sally Bethea
quoting a London water official



fatberg ↑



>7,500 Fires

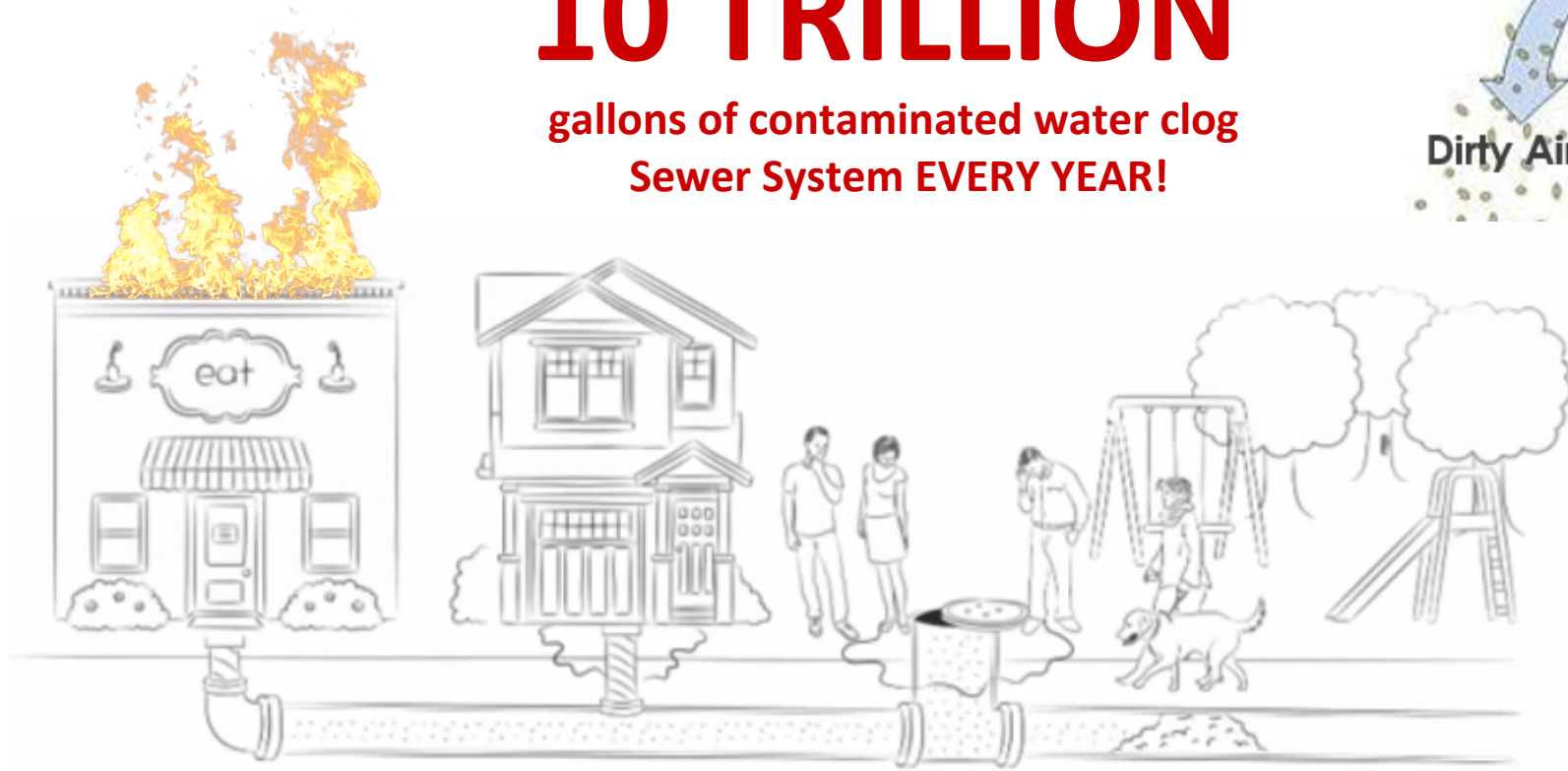
in Restaurants each year!
Results in over \$250 Million in Damages
and over 100 injuries!

Reactive Results...

Community Impact

10 TRILLION

gallons of contaminated water clog
Sewer System EVERY YEAR!



Luckily, this can be prevented!

Ei

Elemental
IMPACT

Reactive Results...

Community Impact



Traditional Practice

results in polluted wastewater impacting the marine environment.

Ei

Elemental
IMPACT

Ei has Announced:



Airborne Kitchen Grease Initiative

Ei

Elemental
IMPACT



Action Plan flows in the following four stages:



Stage 1: Building the Foundation

Fire Safety

Cost-Savings

Metrics Platform

Filter End-of-Life



Stage 2: Developing the City-Wide AKG Template



Stage 3: National Expansion



Stage 4: Environmental Impact Research

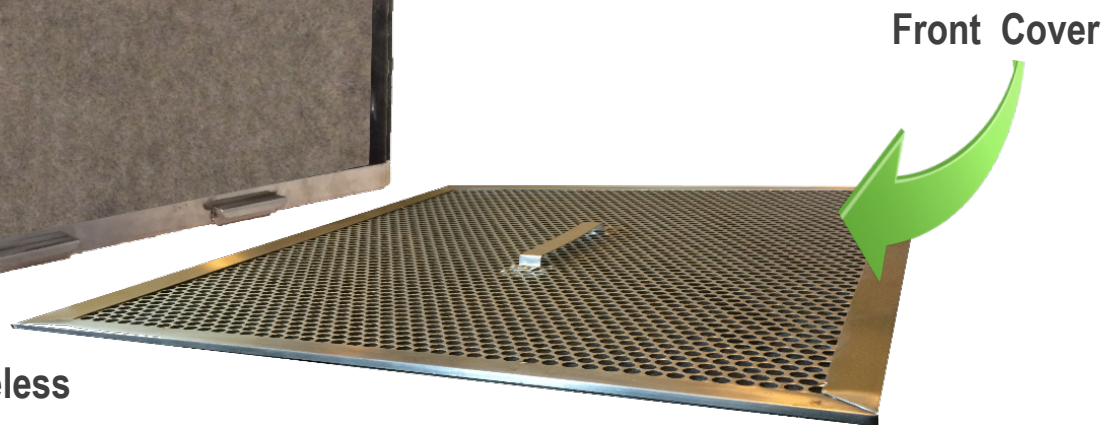
Stop the problem at the source!



Clean Air



Disposable & Frameless
High Efficiency
Grease Filter Media



Front Cover

Easy Installation

environmental
LEADER
PRODUCT & PROJECT
AWARDS

TOP PROJECT
OF THE YEAR
2015



GREASE
LOCK 365
disposable grease filters

Why Wait?



TOP PROJECT
OF THE YEAR
2015

Start saving today!



Ei

Elemental
IMPACT



Airborne Kitchen Grease

A proactive approach to a costly cooking by-product.

Thanks for your time!

**For any general question,
please call:**

Elemental Impact:

Holly Elmore - (404) 261-4690

Grease Lock:

Jordan Salpietra - (888) 594-0063

Ei

Elemental
IMPACT

